



University of El Oued - Algeria



Webinar on:

**CYBER-PHYSICAL SYSTEMS  
SECURITY AND RESILIENCE**

**Dr. Abdelkader Laouid**

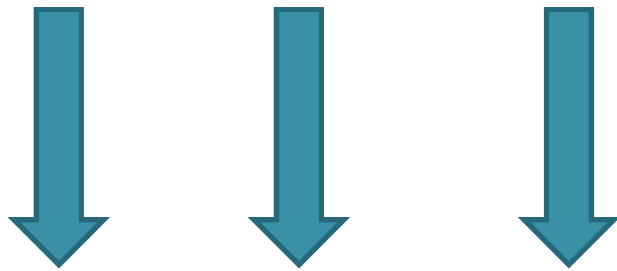
Computer Science Department

**The Impact of the Intruders on the  
Unsecured Systems.**

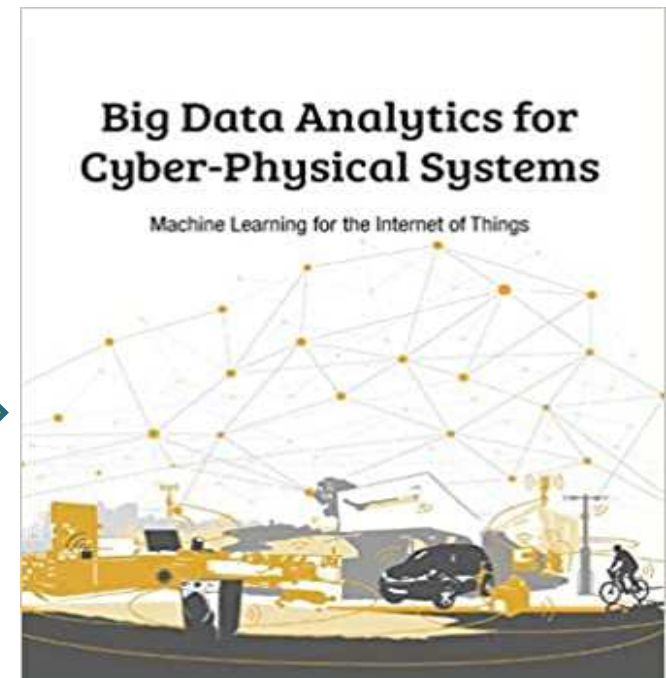
**Artificial Intelligence Solutions**

# Issues and Research Solutions

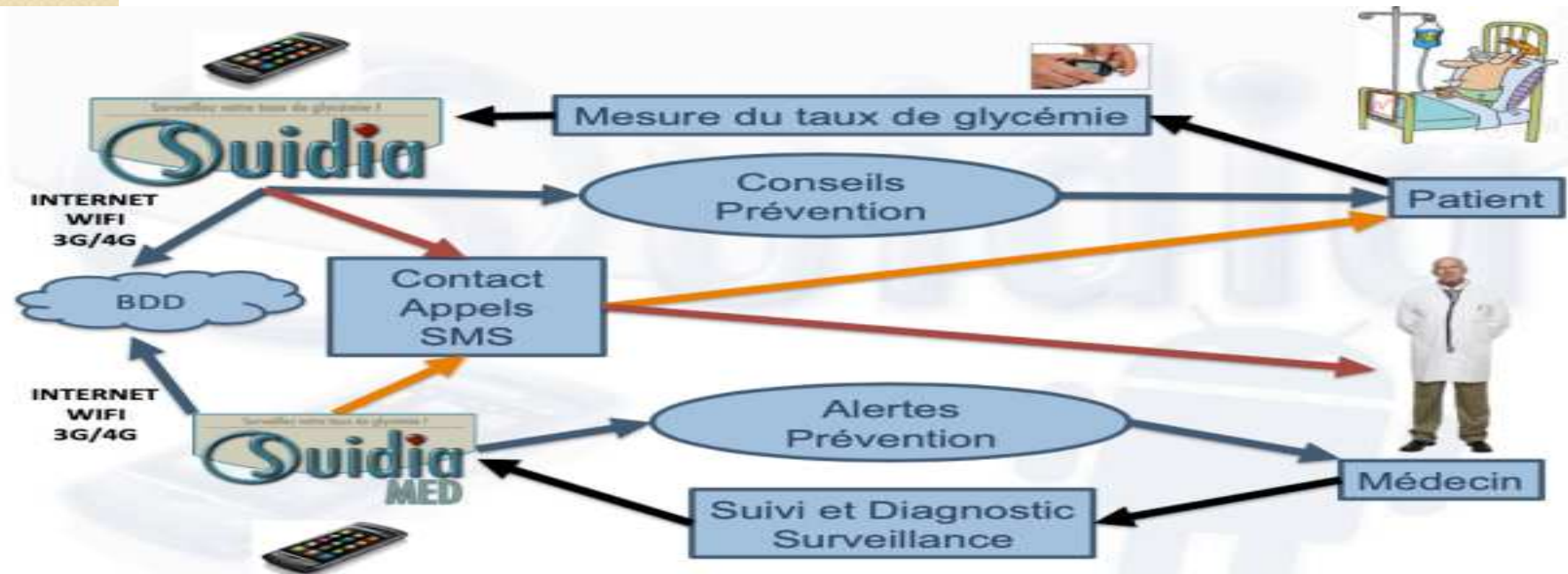
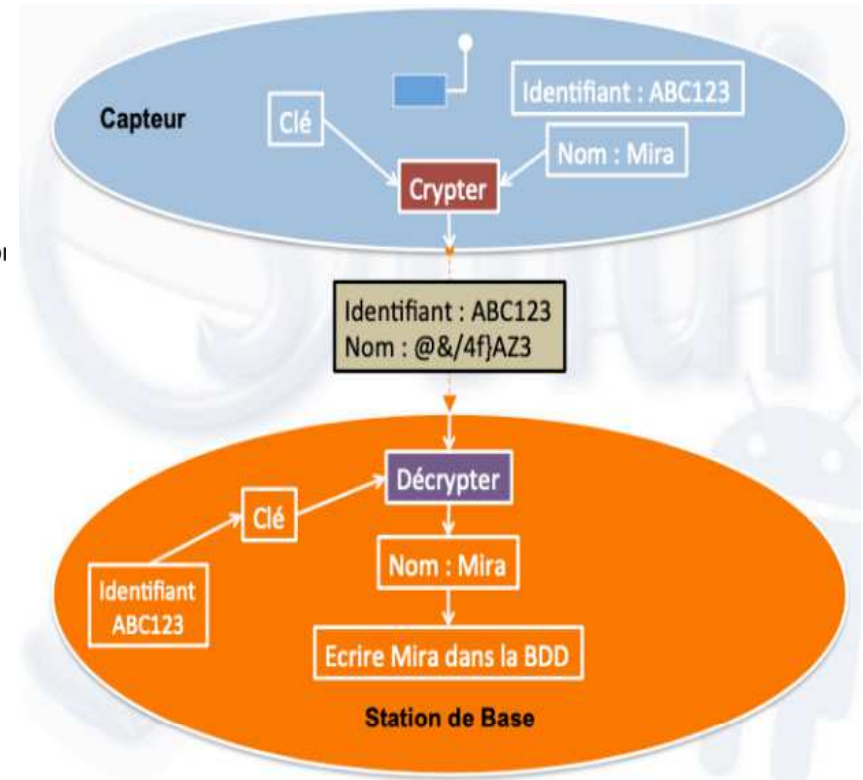
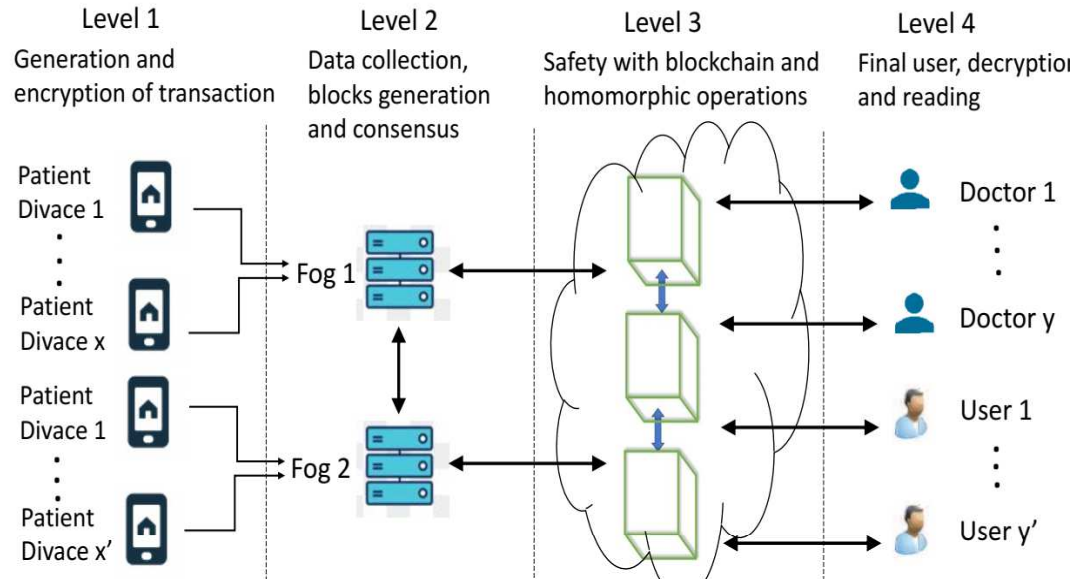
- A huge data
- Complicated Systems
- Weakness of formal methods



- Artificial Intelligence
- Data Analytics
- Cyber-Secure systems



# Activities





# Collaborations

- How to create heterogeneous data merged between our apps and other similar projects
- Exploiting together the proposed techniques in other domains
- Mounting international projects in this context.